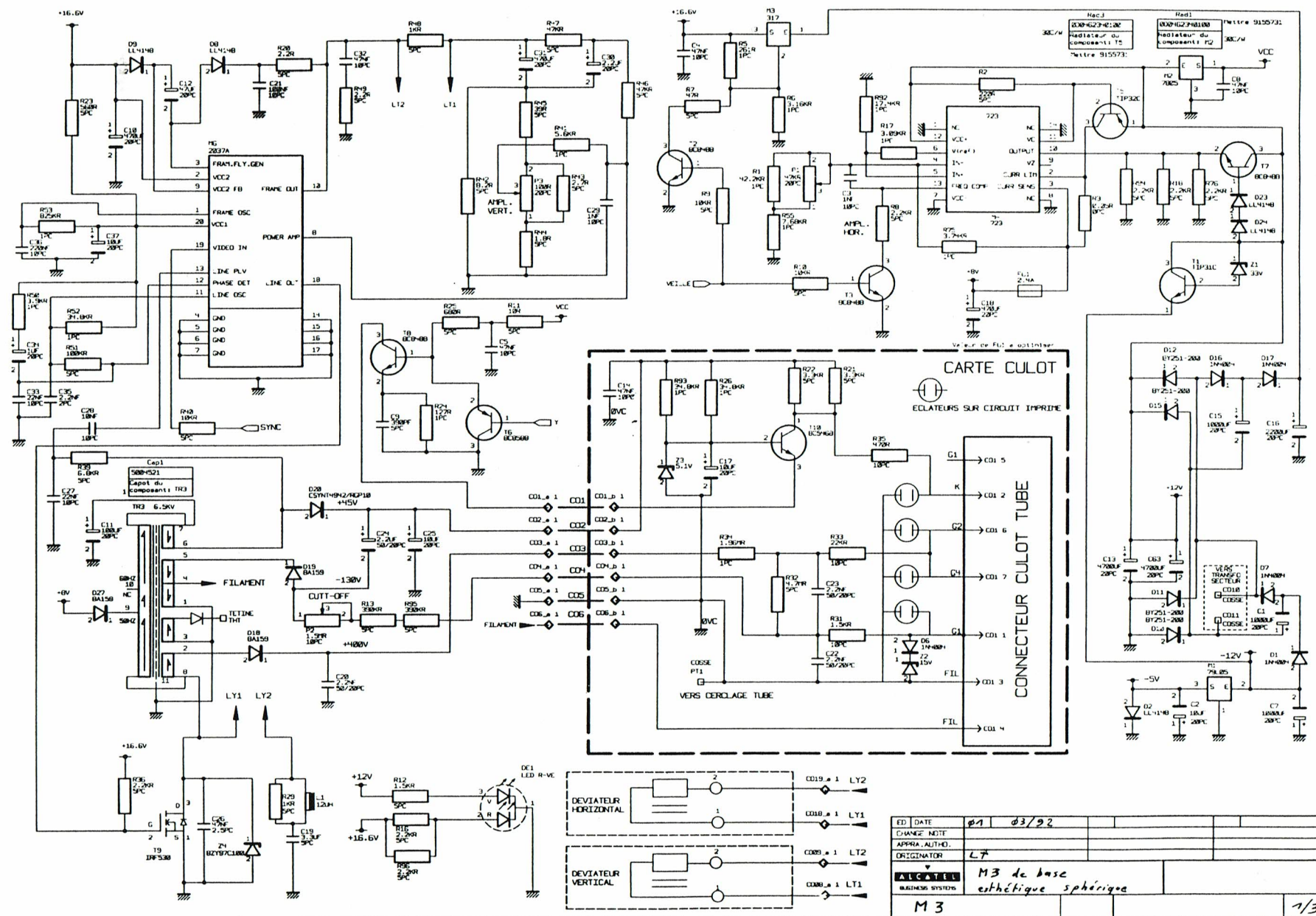


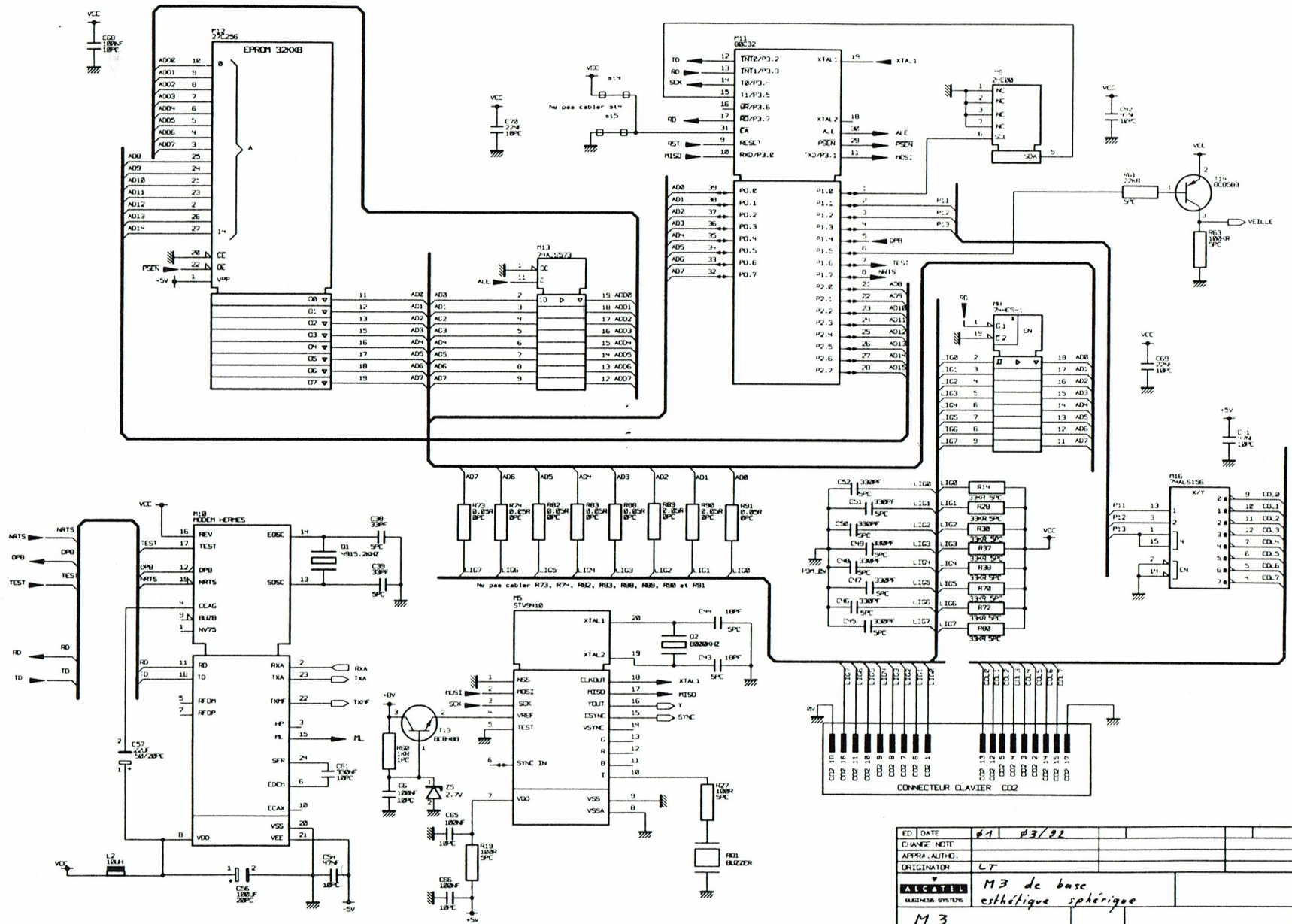
All rights reserved. Passing on any communication or file contents not permitted without written authorization.



ED DATE	01	03/92
CHANGE NOTE		
APPROV. AUTH.		
ORIGINATOR	L7	
ALCATEL		
M3 de base		
BARRIAGE SYSTEMS		
esthétique sphérique		
M3		1/3

M3/132

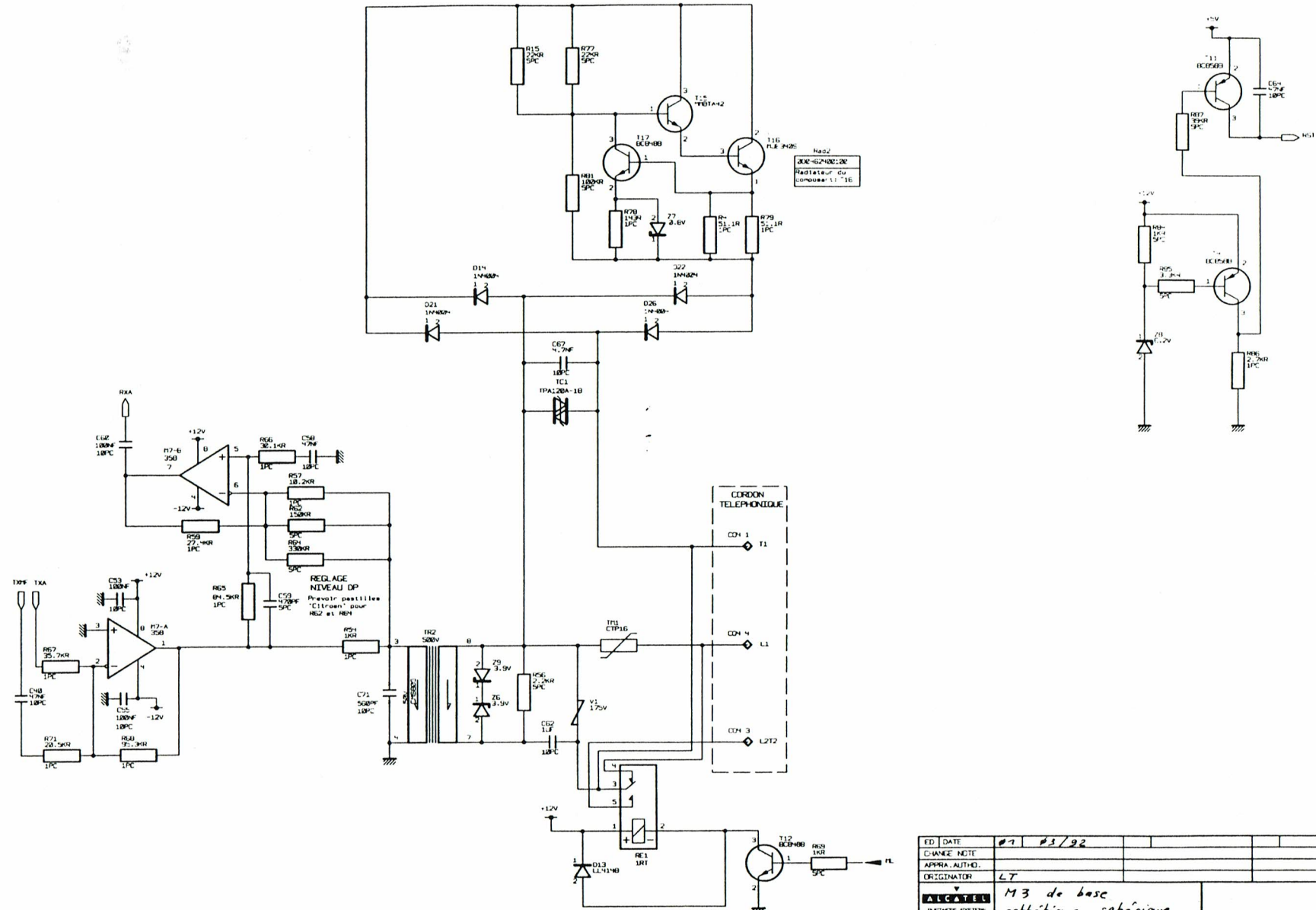
All rights reserved. Reproduction or translation of this document without written authorization.



ED DATE	#1	#3/22
CHANGE NOTE		
APPROV. AUTHO.		
ORIGINATOR	LT	
ALCATEL		
BUSINESS SYSTEMS		
M3 de base esthétique sphérique		
M3		2/3

M3/133

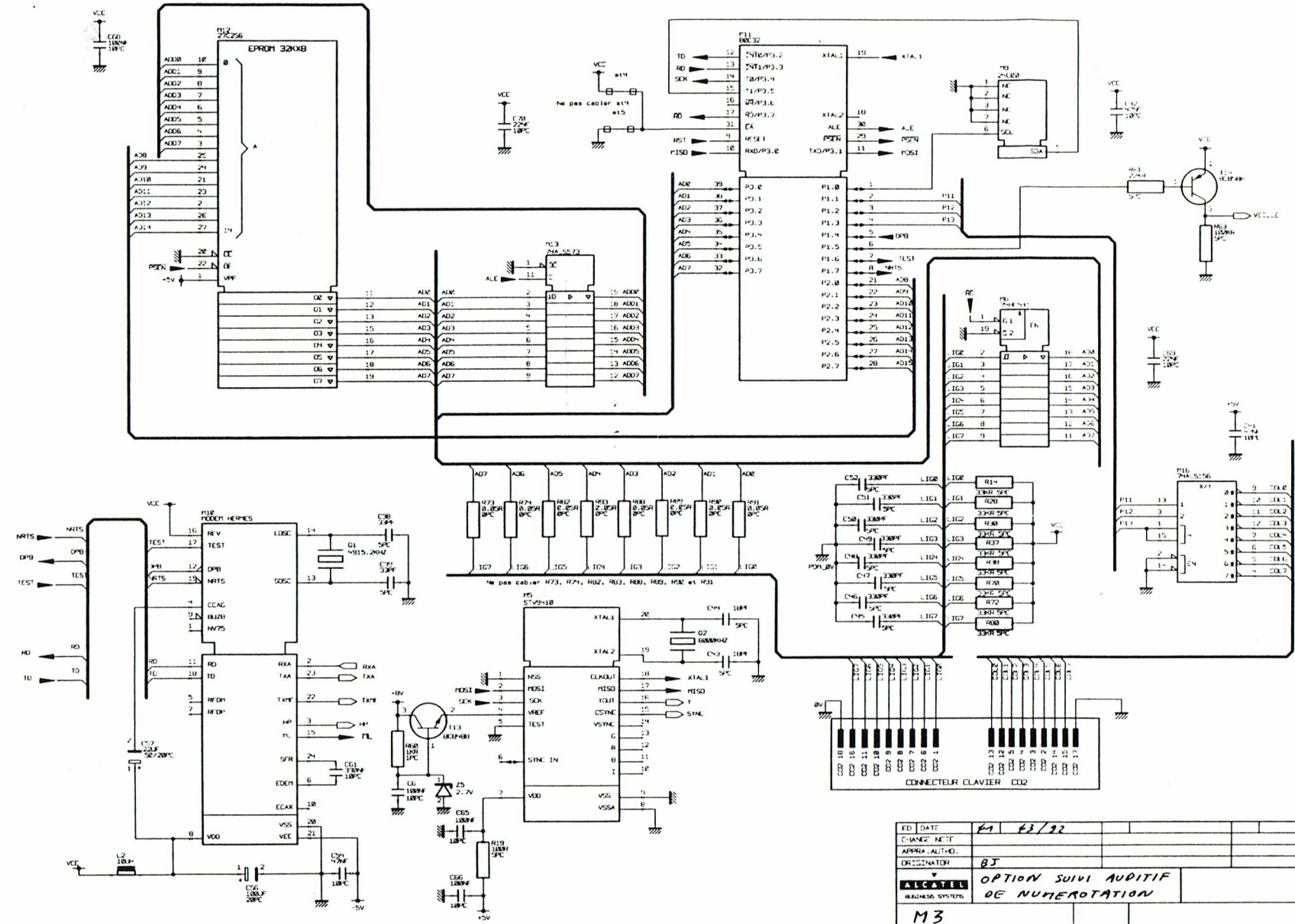
All rights reserved. Passing on and
 communication of its contents not
 permitted without written authorization.



ED DATE	01/03/92		
CHANGE NOTE			
APPROV. AUTH.			
ORIGINATOR	LT		
ALCATEL	M3 de base		
MARKETING SYSTEMS	esthétique sphérique		
M3			

M3/134

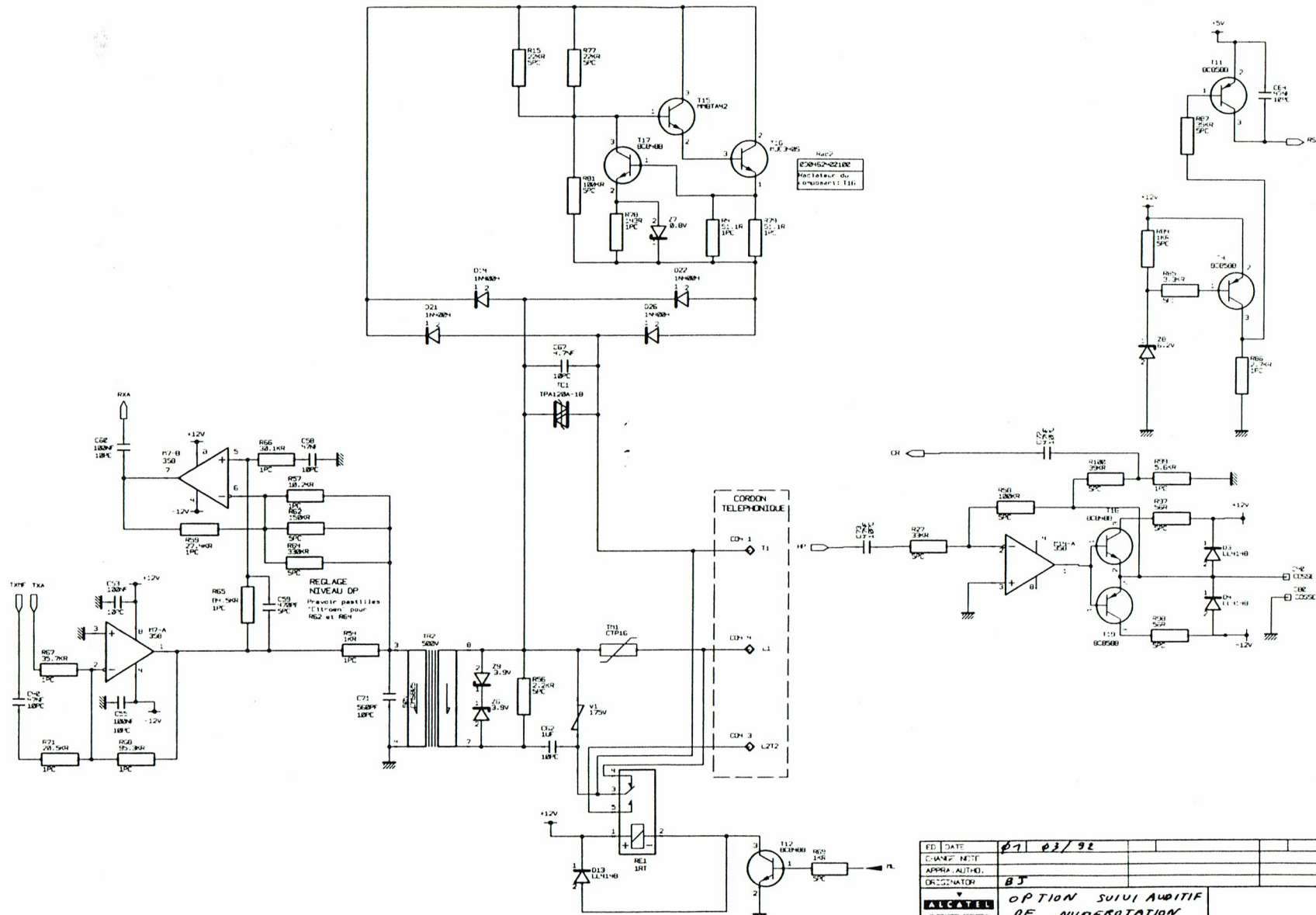
All rights reserved. Drawing prepared by the Alcatel Bell and Southern Bell Laboratories.



ED. DATE	21	03/92		
CHANGE N°				
APPRO. AUTH.				
ORIGINATOR	BT			
ALCATEL		OPTION SUIVI AUDITIF		
BUSINESS SYSTEMS		DE NUMERATION		
M3				
				2/3

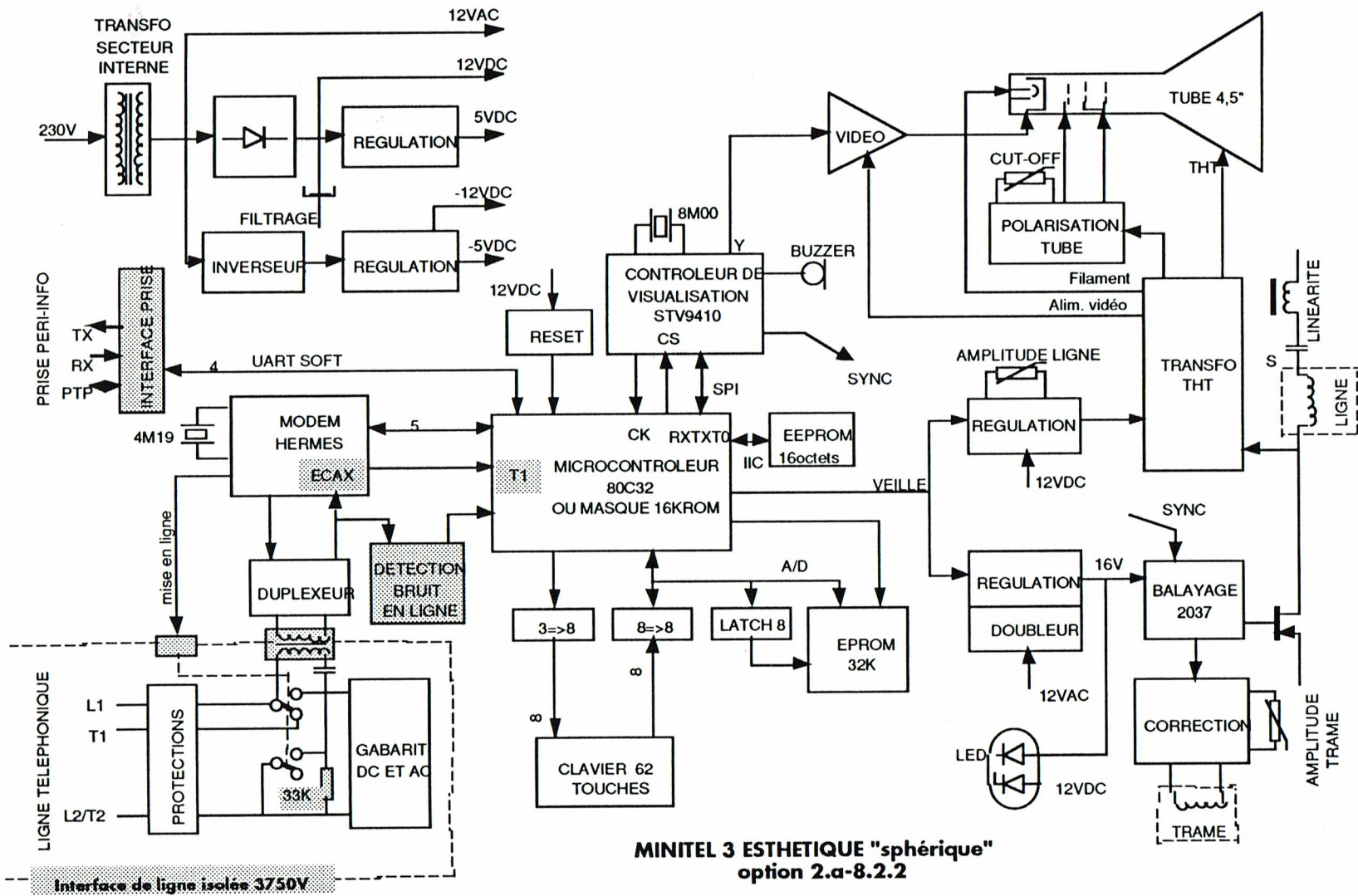
M3/148

ALL rights reserved. Drawing of the company of Alcatel, and its subsidiaries, and its licensors.

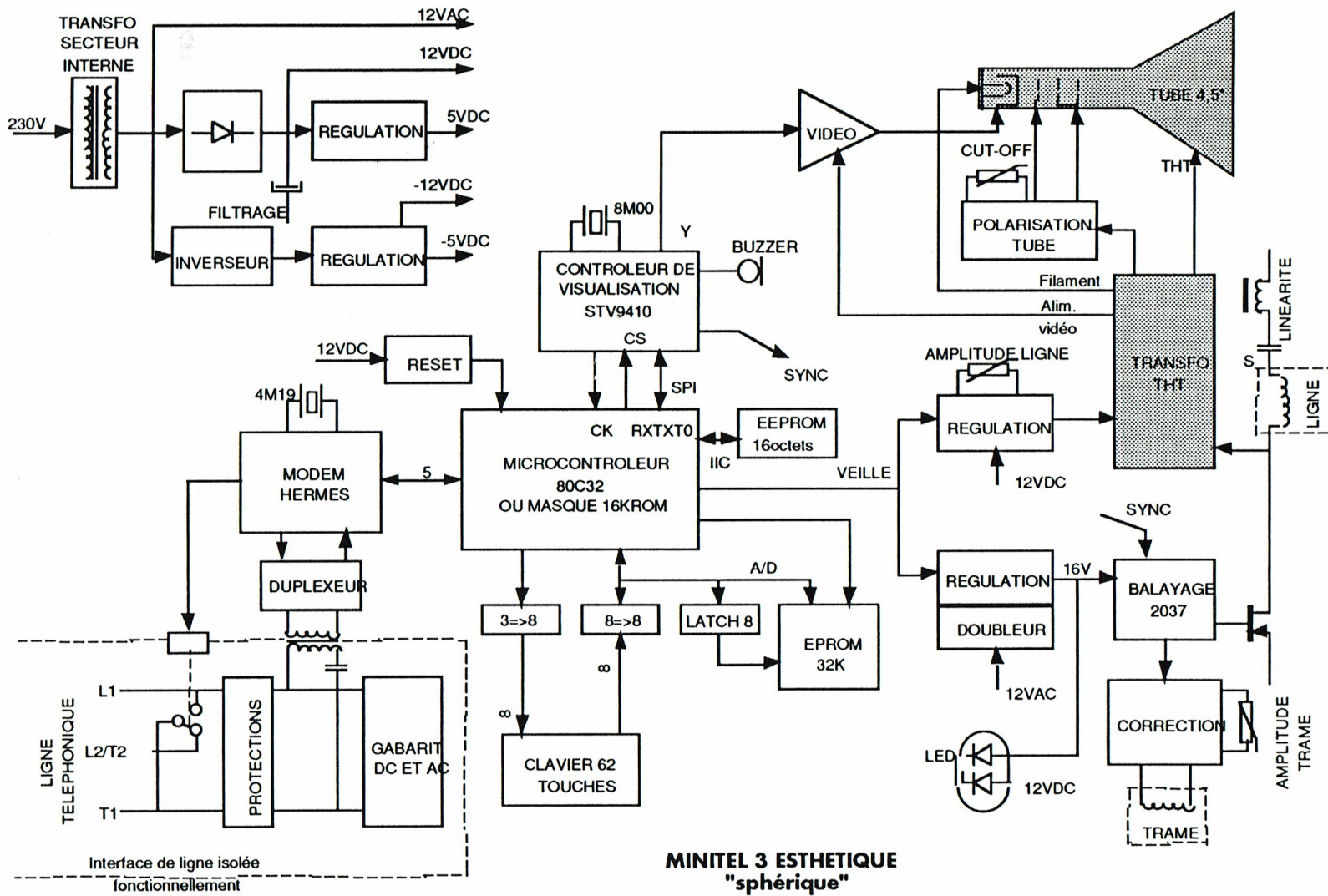


ED DATE	07 03/92
CHANGE N°	
APPROV. AUTH.	
ORIGINATOR	BJ
ALCATEL BUSINESS SYSTEMS	
OPTION SUIVI AUDITIF DE NUMEROTATION	
M 3	3/3

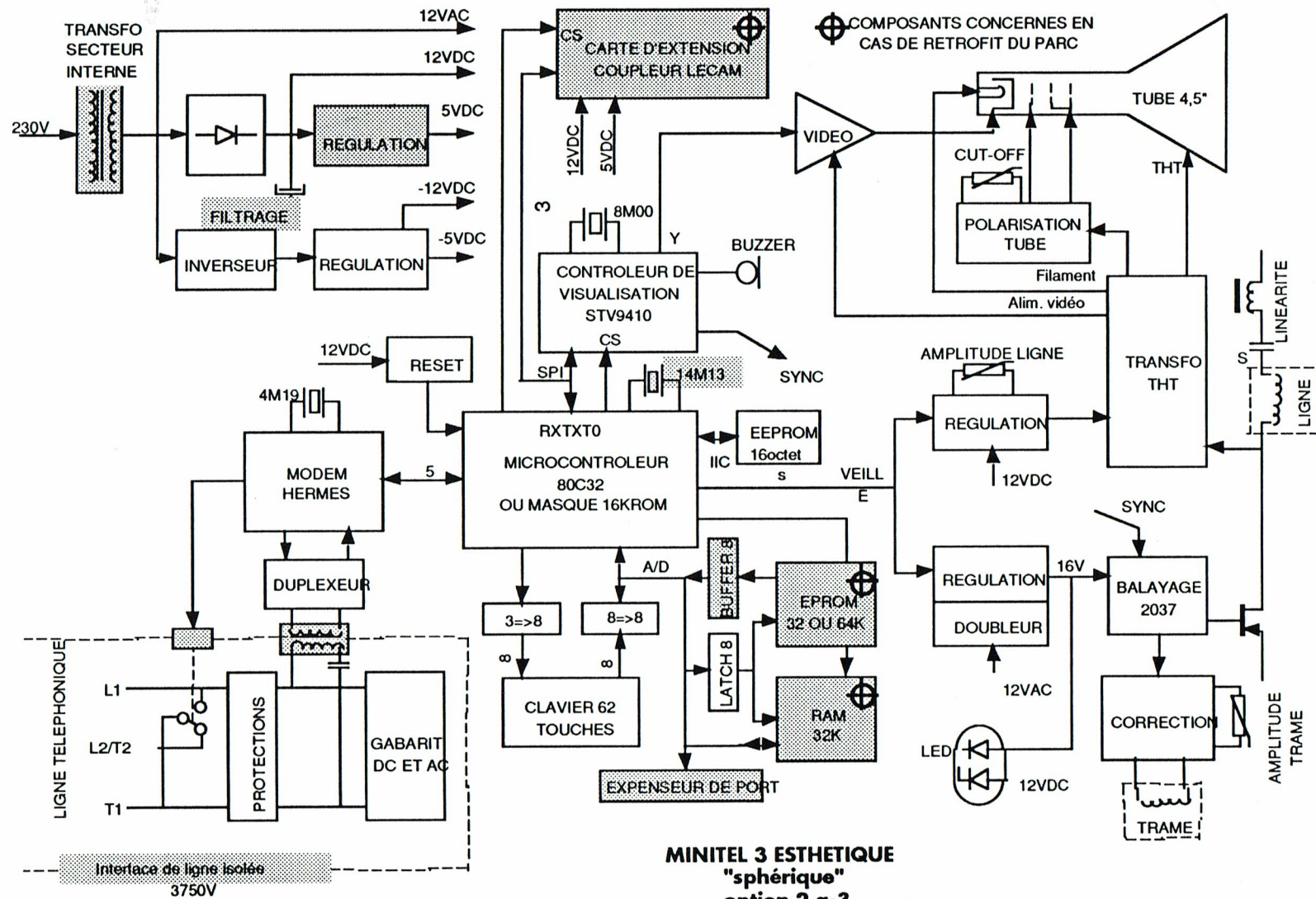
M 3 / 149



MINITEL 3 ESTHETIQUE "sphérique" option 2.a-8.2.2



**MINITEL 3 ESTHETIQUE
"sphérique"
version de base**



MINITEL 3 ESTHETIQUE
"sphérique"
option 2.a-3